

THIS DRAWING IS UNPUBLISHED.

RELEASED FOR PUBLICATION

© COPYRIGHT - By -

ALL RIGHTS RESERVED.

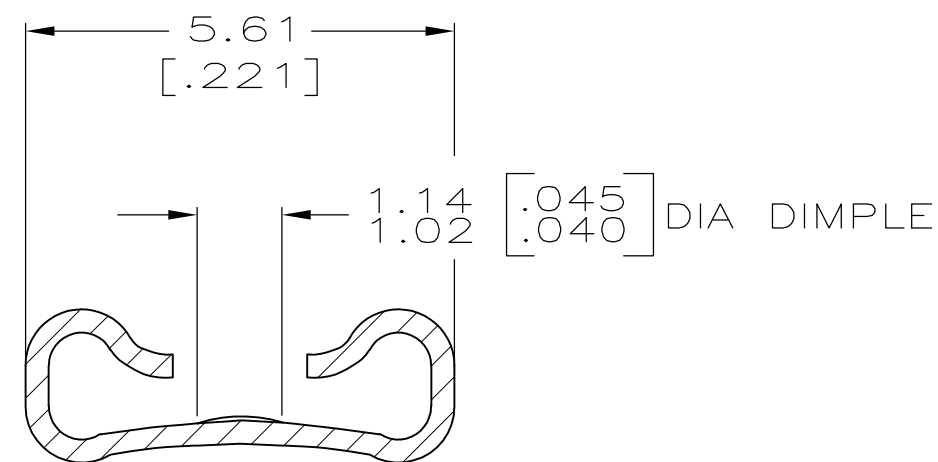
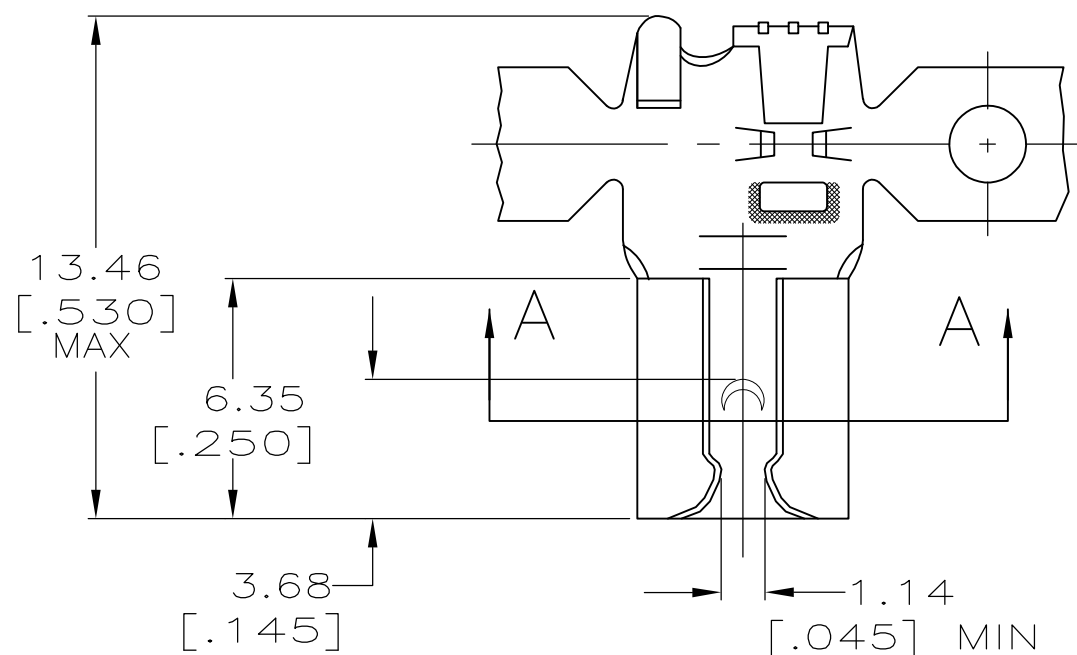
LOC
AF

DIST
50

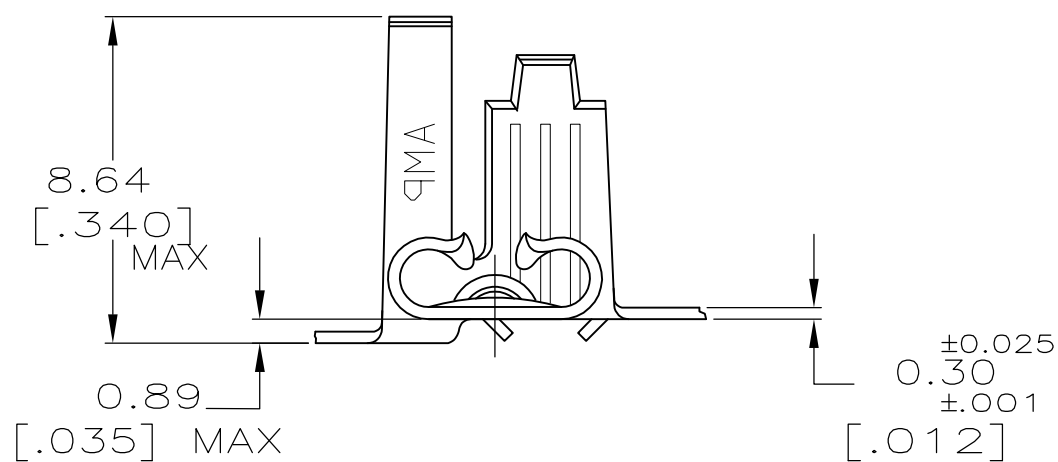
REVISIONS

P	LTR	DESCRIPTION	DATE	DWN	APVD
	F	REVISED PER ECR-12-013459	28NOV2012	KH	PD


- 1 CONTINUOUS STRIP ON REELS.
- 2 MATING TAB THK IS 0.51 ± 0.025 $[\cdot 020 \pm \cdot 001]$.
- 3 WIRE SIZE IS $\#[20-16]$ AWG
- 4 INSULATION RANGE IS 2.79-4.32 $[\cdot 110 - \cdot 170]$ DIA.



SECTION A-A
SCALE 10:1



TIN	61029-2
-	61029-1
FINISH	PART NO.

THIS DRAWING IS A CONTROLLED DOCUMENT.		DWN JR RUTH 1/9/97	 TE Connectivity NAME RECEPTACLE, FASTON, 4.75 $[\cdot 187]$ SERIES				
DIMENSIONS: mm [INCHES]		CHK MS FEHER 1/9/97				APVD P DESANTIS 1/9/97	RESTRICTED TO
TOLERANCES UNLESS OTHERWISE SPECIFIED:		PRODUCT SPEC				SIZE	
0 PLC ± - 1 PLC ± - 2 PLC ± 0.38 $[\cdot 015]$ 3 PLC ± - 4 PLC ± - ANGLES ± -		APPLICATION SPEC				CAGE CODE	
MATERIAL BRASS		FINISH SEE TABLE		WEIGHT -	DRAWING NO A300779 C-61029		
CUSTOMER DRAWING			SCALE 5:1	SHEET 1 OF 1	REV F		